

Before working in certain materials and tools, **each student must**

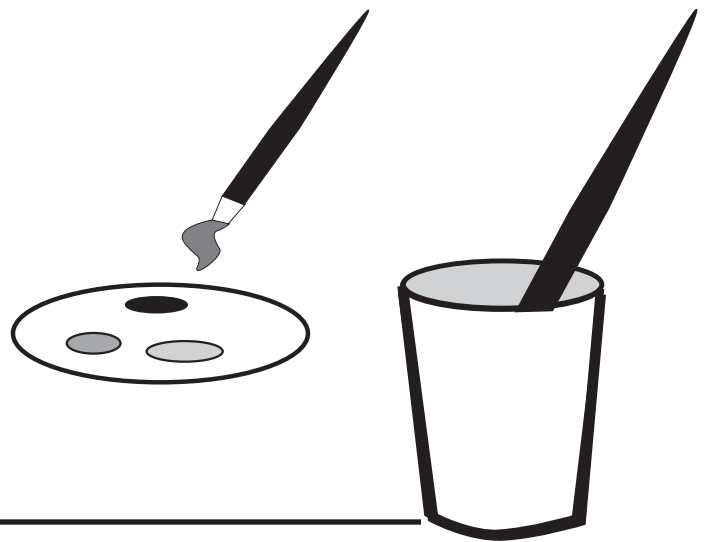
1. Receive safety instruction / modeling from teacher
2. Pass a safety test
3. Review & sign the *Safety Requirements* document

# PAINTING

SAFETY

What will you **paint**? *paper, wood, canvas, wall*  
What **paint** will you use?

- watercolor
- tempera
- acrylic / latex



## *Safety Requirements*

1. **Be prepared:** Always have a cup of water, rags, newspaper, drop cloth near you
2. **Clean brushes:** When finished, put brushes in water.
3. **Wash hands:** clean hands at the end of the class period.

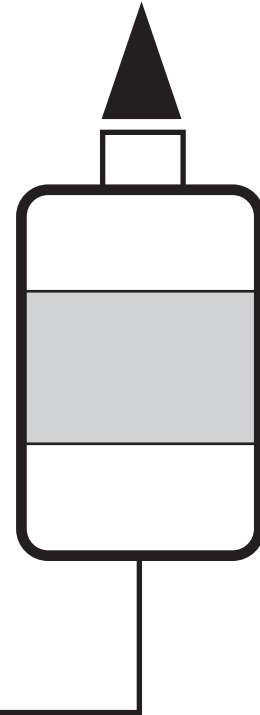
**QUESTIONS? ASK YOUR TEACHER !!!**

# g l u i n g

SAFETY

What will you **glue**? *paper, wood, fabric, objects*  
What **glue** will you use?

- **Elmer's White Glue**
- **Wood Glue**
- **Special Glues**



## *Safety Requirements*

1. **Be prepared:** Always have a cup of water, rags, and newspaper near you
2. **Clean up glue:** When finished, clean up area.
3. **Wash hands:** clean hands at the end of the class period.

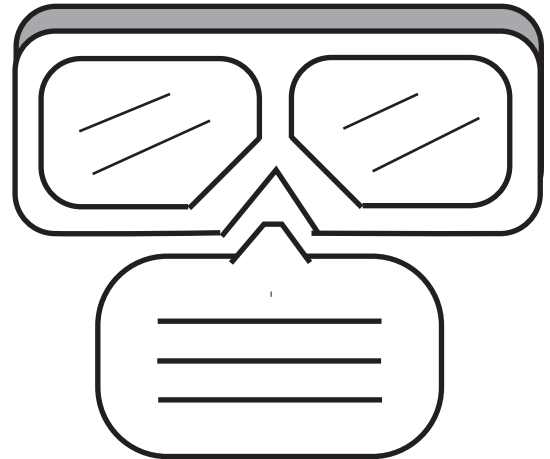
**QUESTIONS? ASK YOUR TEACHER !!!**

# s a n D I N G

SAFETY

What will you **sand**?

- **wood**
- **spackling**
- **canvas**



## *Safety Requirements*

---

1. **Be prepared:** Wear goggles and a face mask while sanding. Sand **OUTSIDE**.
2. **Clean up:** When finished, clean up your work area, wash away dust with water.
3. **Wash hands:** clean hands at the end of the class period.

**QUESTIONS? ASK YOUR TEACHER !!!**

# S A W I N G

SAFETY

What size of wood will you cut?

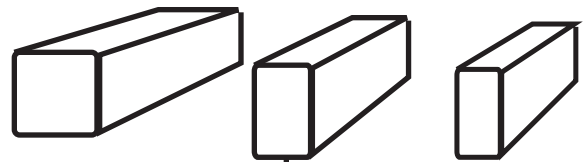
- 1 x 2's



- 1/2 inch board



- Wood blocks



## *Safety Requirements*

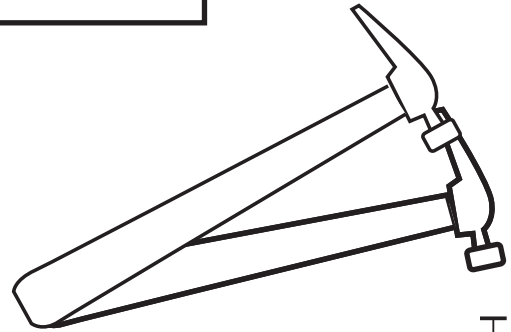
1. **Be prepared:** Wear goggles and a face mask while cutting wood. Keep hands away from cutting blade.
2. **Area clean:** Work in a clean and organized area.
3. **No liquids:** Keep liquids away from the electric jigsaw.

**QUESTIONS? ASK YOUR TEACHER !!!**

# NAILING

SAFETY

What materials are you nailing?



- 1 x 2's



- 1/2 inch board



- **Objects/materials nailed** *to wood*

## *Safety Requirements*

---

1. **Be prepared:** Wear goggles, have all materials ready before beginning.
2. **When hammering:** Use short strokes for greater control. Use shortest nails necessary to get the job done.
3. **Stand clear:** Other students should be a safe distance away from you.

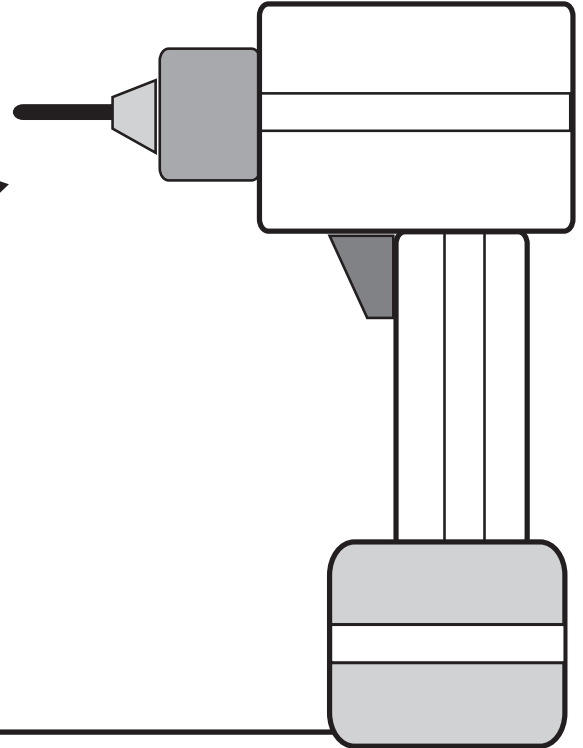
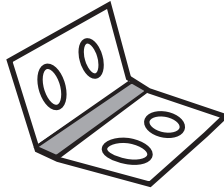
**QUESTIONS? ASK YOUR TEACHER !!!**

# DRILLING

SAFETY

Why are you drilling a hole?

- for hinges
- for holes to cut a window
- sculpting/carving



## *Safety Requirements*

1. **Be prepared:** Wear goggles, have all materials ready before beginning.
2. **When drilling:** Use a pencil to mark the area you will drill.
3. **Stand clear:** Other students should be a safe distance away from you.

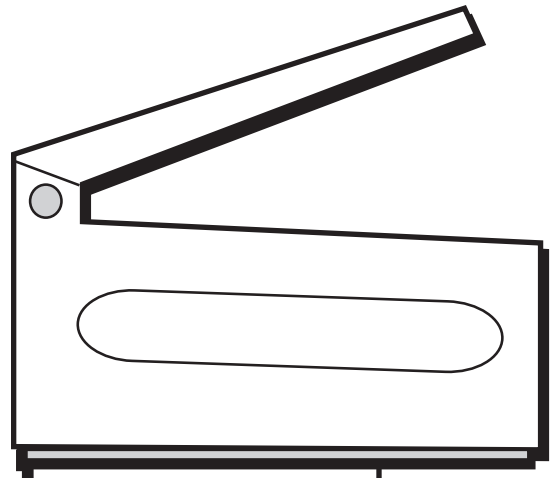
**QUESTIONS? ASK YOUR TEACHER !!!**

# STAPLING

SAFETY

What are you stapling?

- *wood* together
- fabric to *wood*
- materials to *wood*



## *Safety Requirements*

1. **Be prepared:** Have all materials ready before beginning your work.
2. **When stapling:** Keep hands clear of stapling area.
3. **No shooting:** The stapler is dangerous. Do not shoot staples.

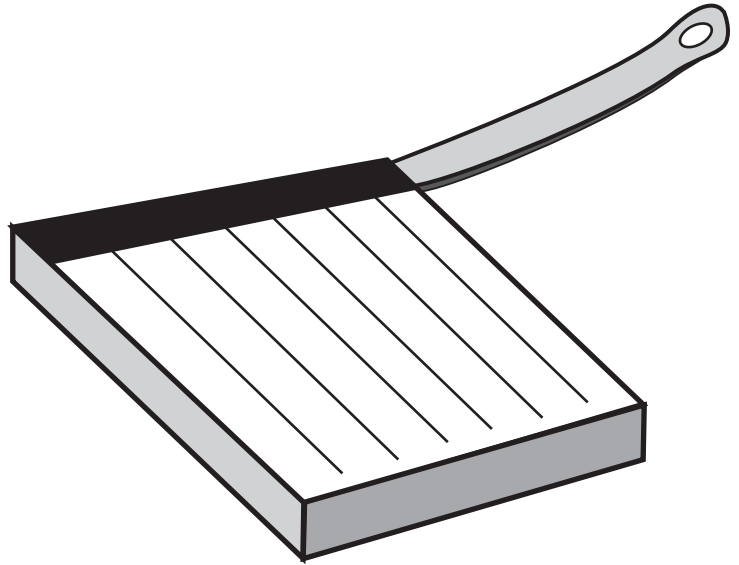
**QUESTIONS? ASK YOUR TEACHER !!!**

# C U T T I N G

SAFETY

What are you cutting?

- paper
- fabric
- cardboard



## *Safety Requirements*

---

1. **Be prepared:** Have all materials ready before beginning your work.
2. **When using the paper cutter:** Cut only a few sheets at a time.
3. **Hands Clear:** Keep hands away from paper cutter blade.

**QUESTIONS? ASK YOUR TEACHER !!!**

# gARDENING

SAFETY

What is your goal?

- **planting / designing**
- **weeding**
- **clearing area**

## *Safety Requirements*

---

1. **Be prepared:** Have all the tools and gloves near you and ready to go. Wear gloves.
2. **When using a shovel/hoe:** Loosen the ground first before shoveling.
3. **Insects:** Be aware that bees, spiders and other dangerous things are part of a garden.

**QUESTIONS? ASK YOUR TEACHER !!!**

